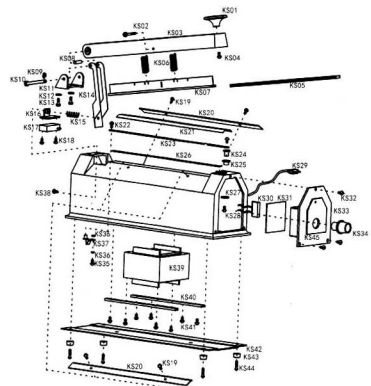
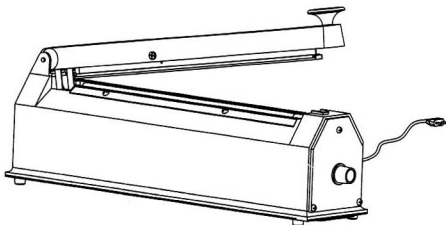


IMPULSE SEALER

PFS-100/200/300/400/500

5. SPECIFICATIONS

Model	PFS-100	PFS-200	PFS-300	PFS-400	PFS-500
impulsepower	200W	300W	400W	600W	800W
max seal length	100mm	200mm	300mm	400mm	400mm
max.selthickness	0.2mm	0.3mm	0.4mm	0.4mm	0.4mm
heat time	0.2-1.5(sec)	0.2-14.5(sec)	0.2-1.5(sec)	0.2-2(sec)	0.2-2(sec)
sealing width	2mm	2mm	3mm	3mm	3mm
weight	1.8Kg	2.7kg	4.5kg	5.5kg	6.5kg
dismsions	24×9×16(cm)	8×32×15(cm)	8.2×45×18(cm)	9.2×56×18(cm)	9.5×66×18(cm)



1.PURPOSE

■ This Plastic sealer PFS200 is the perfect sealer for PE and PP bags to package various kinds of candy food-stuff general, merchandery, durgs, etc.

2.OPERATION

■ This machine don't use the power switch; plug the AC Cord into socket, according to the thickness of the materials to be sealed, regulating the heat time duration. putting one plastic bag on the sea ling platform, and then putting down the handle. The electronic circuit controls the heat time automatically.

The light turns off(to cut off the plwer automatically). Arrter 1-2 seconds, release the handle, The per fect seal is complete

■ In case of the break or damage appear on the seal, it because of the over long heat time. Please regulating the heat time towar the direction S for shorting it.

■ Non-tighten seal is because of the too short heat time. Please regulating it toward to direction L for longer.

■ Should the plastic bag sticks to the handle rubber or to be pulled, it is because of the cooling time is not enough, i.e.the cooling time have, to get longer after the light turns off (please keep the handle down for a short time).

■ After regulating the heat time duation, it will keep unchange for every usage. It is unnecessary to make any regulating for the continuous sealing.

■ Please plugs the AC Cord into the socket always, it will not consume the power at all during not in use condition.

■ The machine of model PF-S-200B is able to print unumber while sealing; if printing is not needed, please turn over the handle rubber.

3.NOTES

■ Always keep the sealing platform clean, avoiding the oxi-dization of the residual on that platform which will re-duce the life of the heating element and of the heat-resist colth.

■ Don't use the wet article to clean the sealing platform.

■ Should the bottom clth be wirn, it will make this ma-chine into shortway and to damage the heating element.

So every time in replacing the heating element, chced the bottom cloth, Replace it by a new bottom cloth if the old one is wirn.

■ During it is necessary to replace a new ther-moelectric wire, don't use any specitication other than equivalent with the origi-nal.

■ After a very long time usage, pleage check the handle rubber. The wirn of hand rubber will infuence the scaling effect, please.